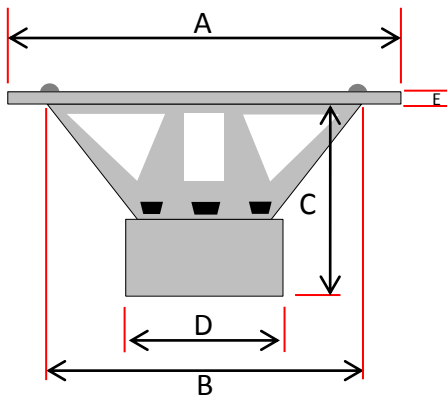




TECHNICAL SPECIFICATIONS

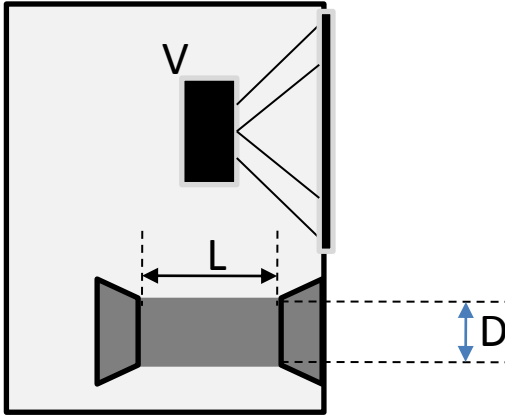
Product name	GZNW 15XSPL	Gasket	Steeling
Product type	Subwoofer chassis	Terminal	Black chrome push terminal
H.Art .nr.	125079	Power handling	5500 W SPL Power
Diameter	392 mm / 15.43"	Impedance	2 x 1 Ohm
Mounting diameter	358 mm / 14.09"	Re	2.3 Ohm
Mounting depth	260 mm / 10.24"	Res	123.9 Ohm
Magnet dimension	3 x 220x 20 mm	FS	39 Hz
Total weight	22,8 KG	Qms	6.33
Voice coil diameter	75 mm / 3" Round Wire	Qes	0.63
Voice coil winding height	50 mm / 1.97"	Qts	0.57
Voice coil wire material	CCA	Rms	12.3 kg/s
Voice coil former material	Black Aluminum	Cms	0.05 mm/N
Top plate height	27 mm / 1.062"	Mms	317.6 gr
Linear excursion (one direction)	11,5 mm / 0.452"	BL	16.9 N/A
Effective Xmax	50 mm / 2"	SPL	94 dB
Top Plate and T-Yoke color	Black machined	VAS	48 L / 1.69 cu.ft
Basket material	Aluminum Cast	Le	1.06 mH
Basket color	Yellow	Recommended freq. response	30 – 100 Hz
Spider	5x Progressive Connex	Recommended amplifier power	2000 – 5500 WRMS @20hm (0,5 Ohm)
Surround	High Roll Sandwich Foam	Sound Quality	☺☺☺☺ (max. ☺☺☺☺☺☺)
Cone	Reinforced paper	SPL Competition	☺☺☺☺☺ (max. ☺☺☺☺☺☺)
Dustcap	IMPP konvex / with 3D Logo	Low bass performance 20-50Hz	☺☺☺☺☺ (max. ☺☺☺☺☺☺)
Magnetcover	PVC	Mid bass performance 50-80Hz	☺☺☺☺ (max. ☺☺☺☺☺☺)



A	392 mm / 15.43"
B	358 mm / 14.09"
C	260 mm / 10.24"
D	220 mm / 8.66"
E	10 mm / 0.39"



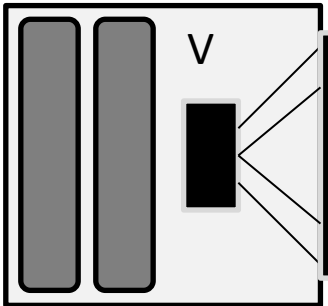
BOX RECOMMENDATION



Big size vented box

V: 130 L / 4.59 cu.ft
D: 1x 160 mm / 6"
L: *167 mm / 6.57"

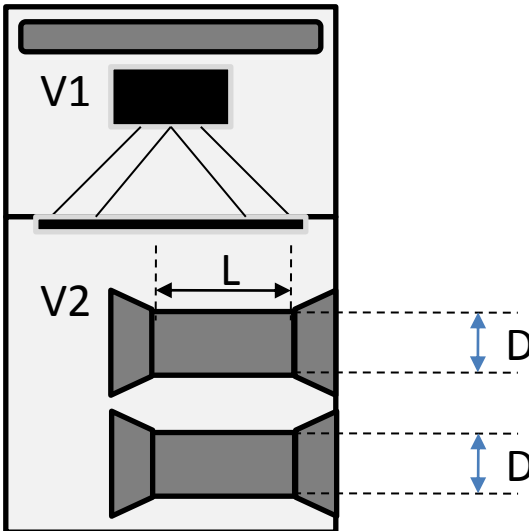
No damping



Medium size sealed box

50 - 80 L / 1.77- 2.82 cu.ft
Qtc 0.80 - 0.72

40 - 60% polyester wool



Medium size bandpassbox

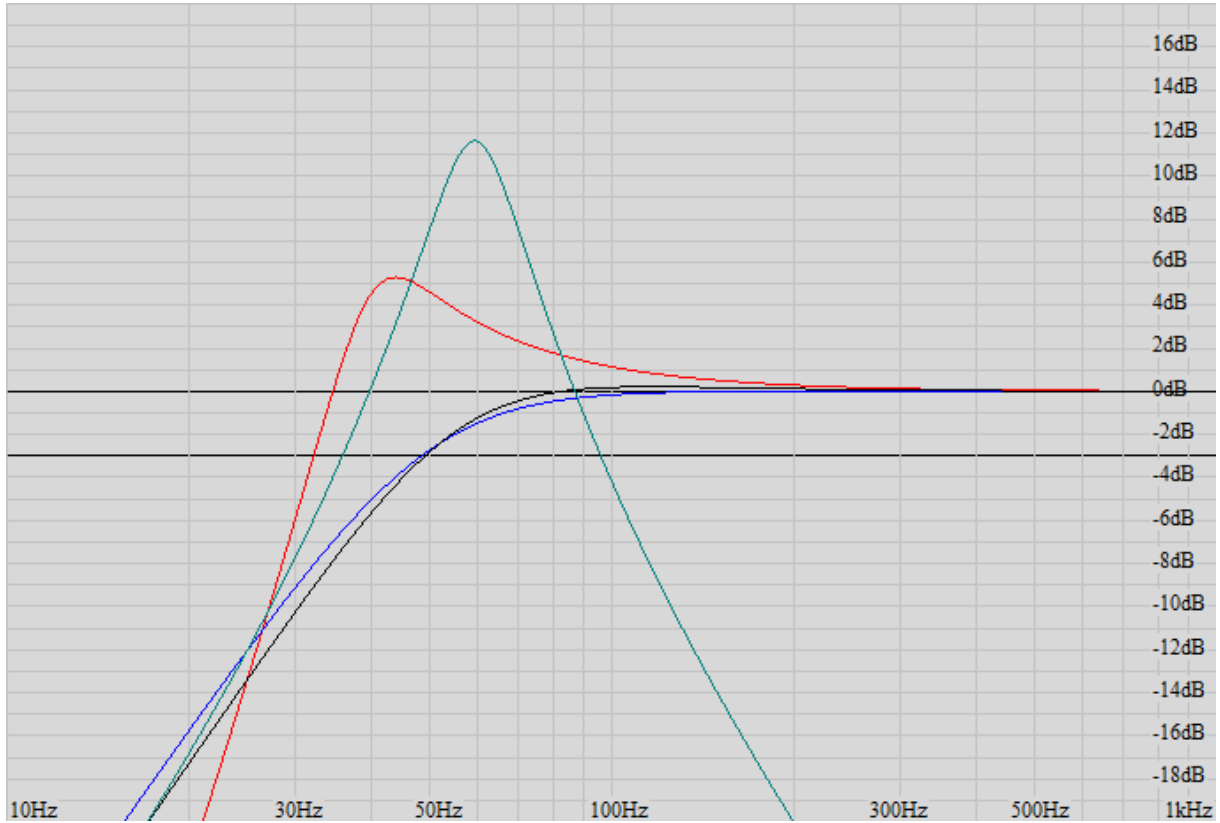
V1: 40 L / 1.41cu.ft
V2: 80 L / 2.82 cu.ft
D: 2x 160 mm / 6"
L: *300 mm / 11.8"

20% polyester wool in V1
No damping in V2

Die hier aufgeführten Gehäusevorschläge sind nur einige, der möglichen Varianten.
Bitte beachten Sie zudem, dass die finale Abstimmung, speziell die Port Längen je nach Fahrzeug und eigenem Geschmack variiert werden sollte.
*Above-mentioned enclosure recommendations are just a few possible variations.
Please note that you should find the perfect tuning, especially port length, based on your car and own taste.*



BOX RECOMMENDATION



Curve	Type	Volume	F3/ Qtc
Red	Vented	130 L / 4.59 cu.ft	32 Hz
Black	Sealed	50 L / 1.77 cu.ft	49 Hz / 0.80
Blue	Sealed	80 L / 2.82 cu.ft	48 Hz / 0.72
Green	Bandpass 4th order	V1: 40 L / 1.41 cu.ft V2: 80 L / 2.82 cu.ft	Centerfreq. 59 Hz

Die hier aufgeführten Gehäusevorschläge sind nur einige, der möglichen Varianten.

Bitte beachten Sie zudem, dass die finale Abstimmung, speziell die Port Längen je nach Fahrzeug und eigenem Geschmack variiert werden sollte.

Above-mentioned enclosure recommendations are just a few possible variations.

Please note that you should find the perfect tuning, especially port length, based on your car and own taste.

